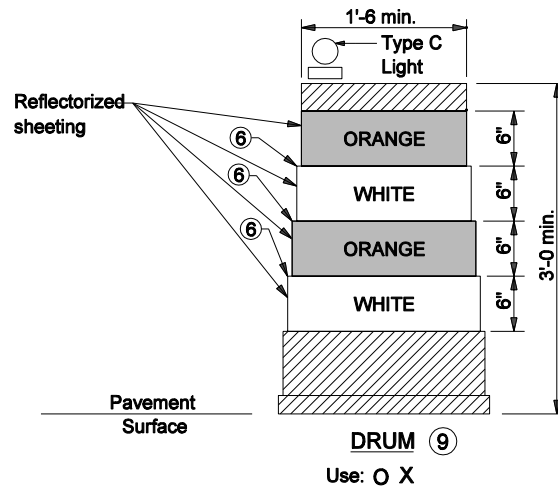
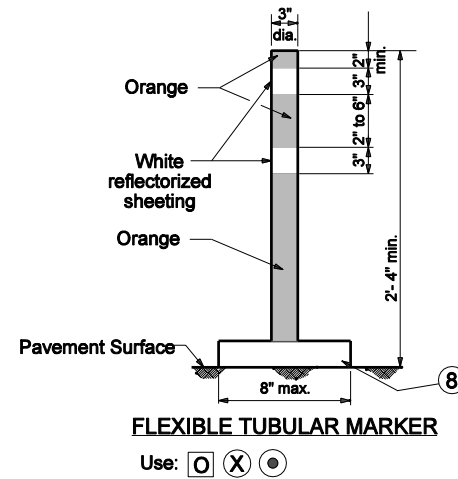


**GENERAL NOTES**

1. For additional notes and legends see Standard Drawing E 801-TCLG-01 or E 801-TCDV-02.
2. A Type C warning light will be required on tapers where there is a reduction in the number of lanes and a flashing arrow sign is used..



INDIANA DEPARTMENT OF TRANSPORTATION	
<b>CHANNELIZING DEVICES</b>	
MARCH 2005	
STANDARD DRAWING NO. E 801-TCDV-01	
	/s/ Richard L. VanCleave 3-01-05 DESIGN STANDARDS ENGINEER DATE
	/s/ Richard K. Smutzer 3-01-05 CHIEF HIGHWAY ENGINEER DATE
DESIGN STANDARDS ENGINEER	