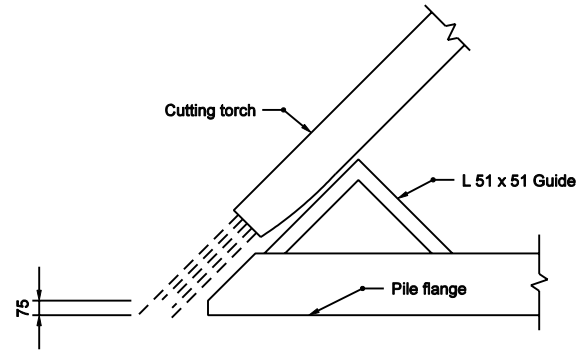
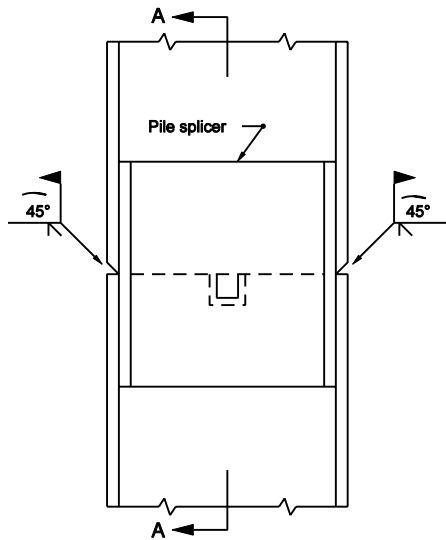


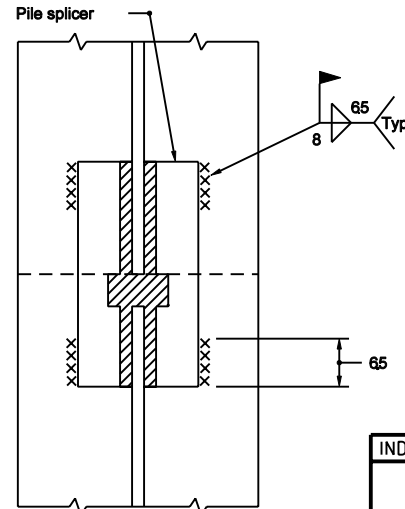
PLAN



**SUGGESTED METHOD
TO BEVEL FLANGE**



ELEVATION



SECTION A-A

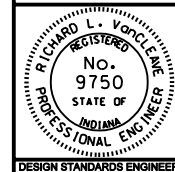
All Dimension are in mm unless otherwise specified

INDIANA DEPARTMENT OF TRANSPORTATION

**ALTERNATE STEEL
H-PILE SPLICE**

SEPTEMBER 2003

STANDARD DRAWING NO. 701-BPIL-06



/s/ Richard L. VanCleave 9-02-03
DESIGN STANDARDS ENGINEER DATE

/s/ Richard K. Smutzer 9-02-03
CHIEF HIGHWAY ENGINEER DATE

DESIGN STANDARDS ENGINEER

**ALTERNATE STEEL H PILE SPLICE
USING COMMERCIAL PILE SPLICER**