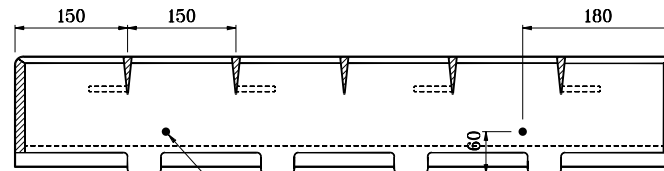
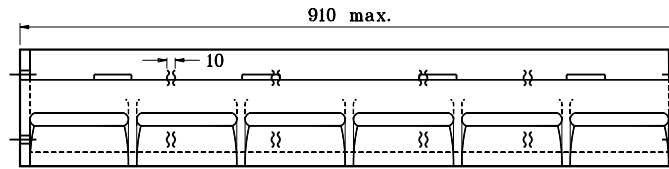
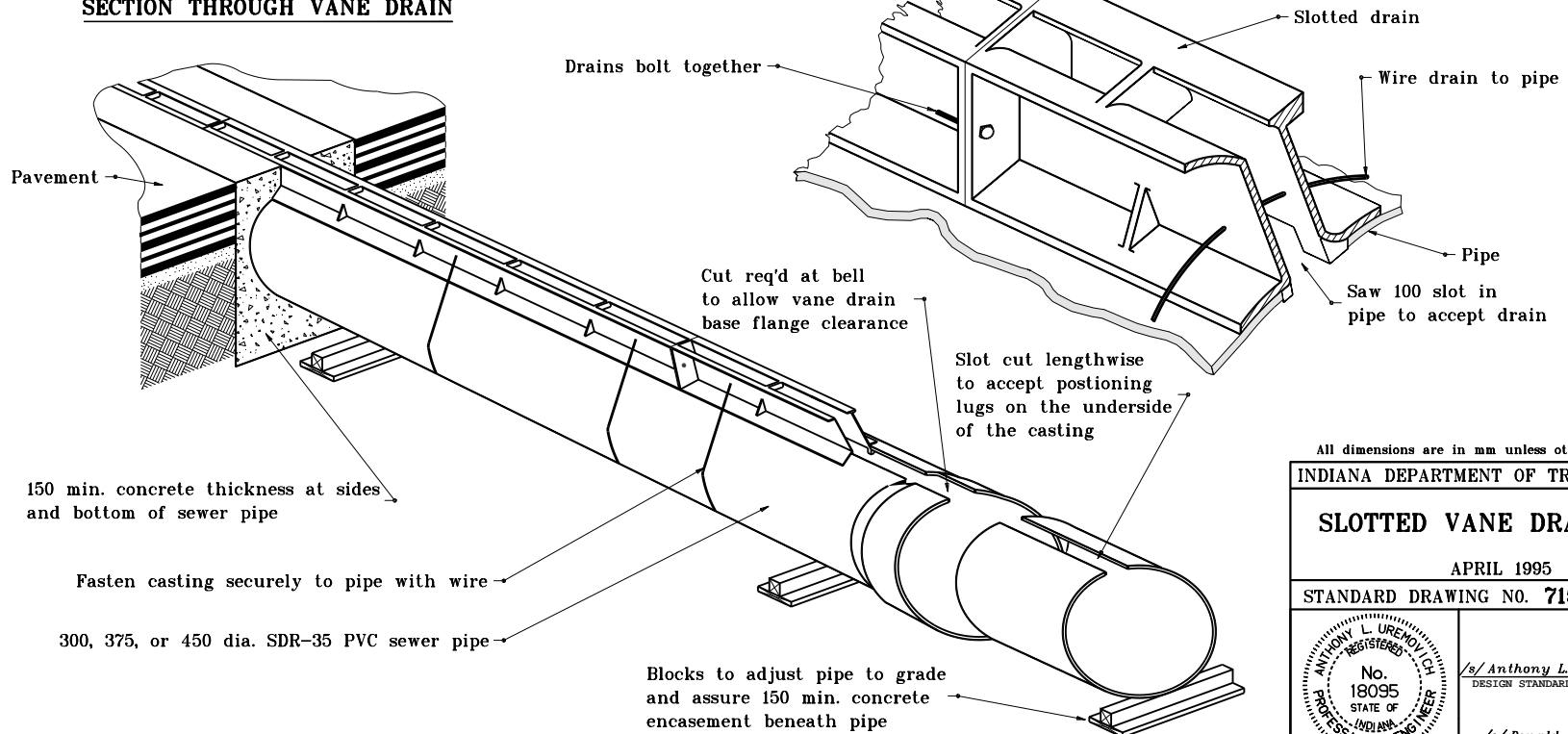


**SECTION THROUGH VANE DRAIN**



(4) 10 dia. cord holes



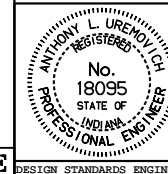
All dimensions are in mm unless otherwise specified.

INDIANA DEPARTMENT OF TRANSPORTATION

**SLOTTED VANE DRAIN PIPE**

APRIL 1995

STANDARD DRAWING NO. 715-SLDR-03



/s/ Anthony L. Uremovich 4-03-95  
DESIGN STANDARDS ENGINEER DATE

/s/ Donald W. Lucas 4-03-95  
CHIEF HIGHWAY ENGINEER DATE

Source Sheet: NONE