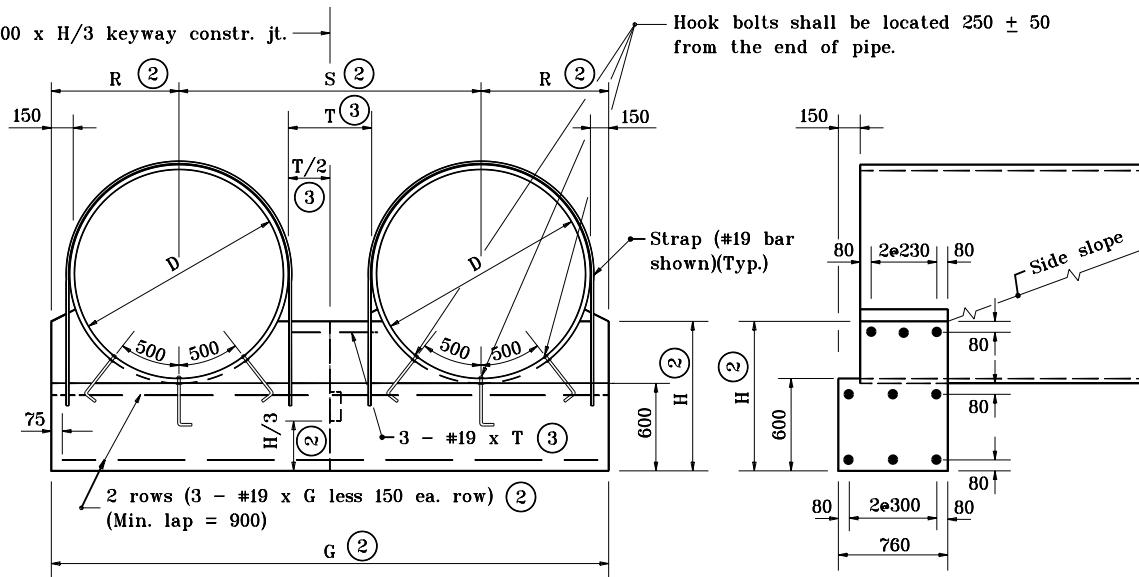


④ 80 x 200 x H/3 keyway constr. jt.



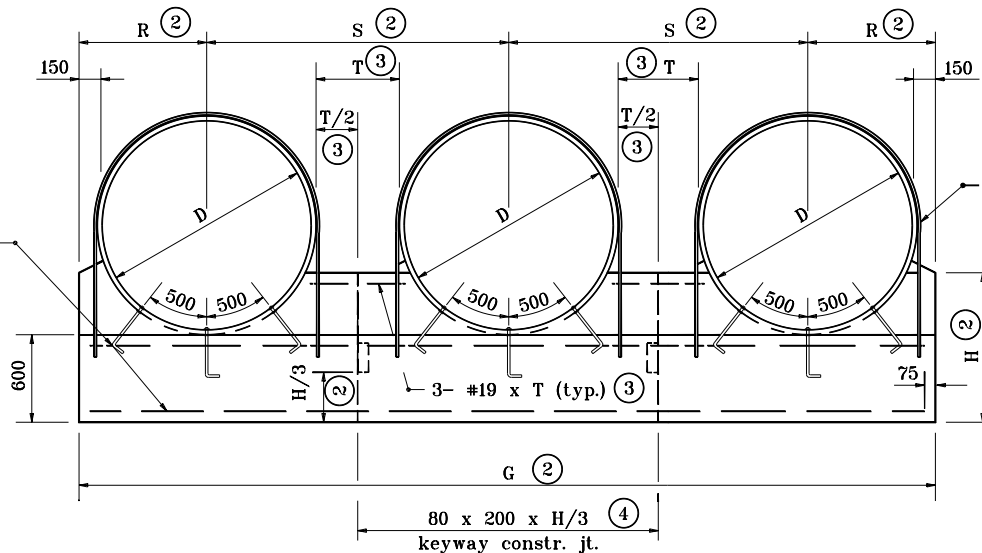
**ANCHOR FOR DOUBLE PIPE INSTALLATION  
FRONT ELEVATION**

**SECTION THROUGH  
ANCHOR**

**GENERAL NOTES**

1. Circular pipes shown. For details of structural plate pipe-arches alternates, see partial elevations on Standard Drawing 717-MPCA-02.
- ② For dimension, enter chart on Standard Drawing 717-ANCH-01 with known dimension D.
- ③ T = Clear distance between pipes.  
For D less than 1200, T = 600.  
For D of 1200 to 2400 T = 1/2 D  
For D greater than 2400, T = 1200.
- ④ No joint required if G is less than or equal to 9000. One joint required if G is greater than 9000 but less than or equal to 12800. Two joints required if G is greater than 12800.

2 Rows (3 - #19 x G less 150 ea. row) (2)  
(Min. lap = 900)



**ANCHOR FOR TRIPLE PIPE INSTALLATION  
FRONT ELEVATION**

Source Sheet: ME1A

All dimensions are in mm unless otherwise specified.

INDIANA DEPARTMENT OF TRANSPORTATION	
<b>MULTIPLE PIPE CONCRETE ANCHOR</b>	
JANUARY 1998	
STANDARD DRAWING NO. 717-MPCA-01	
	/s/ Anthony L. Uremovich 1-02-98 DESIGN STANDARDS ENGINEER DATE
	/s/ Donald W. Lucas 1-02-98 CHIEF HIGHWAY ENGINEER DATE