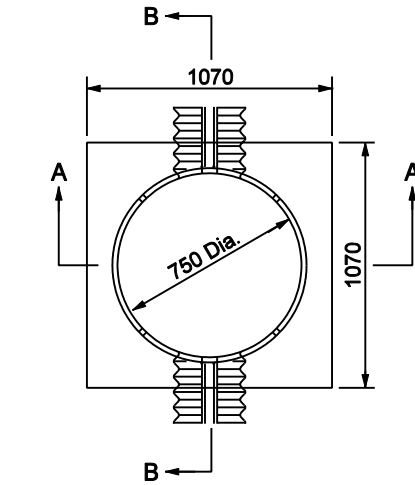
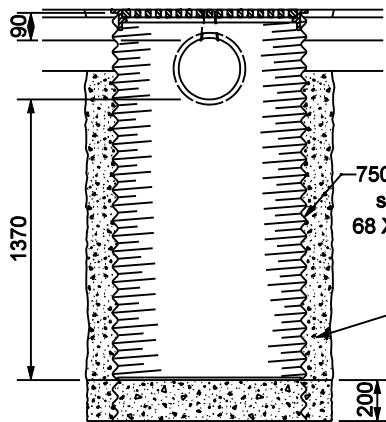


GENERAL NOTES

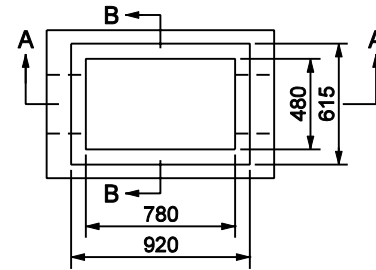
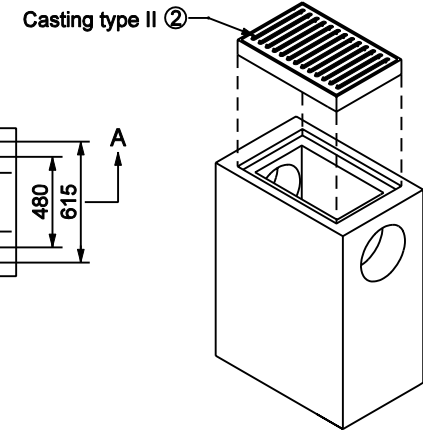
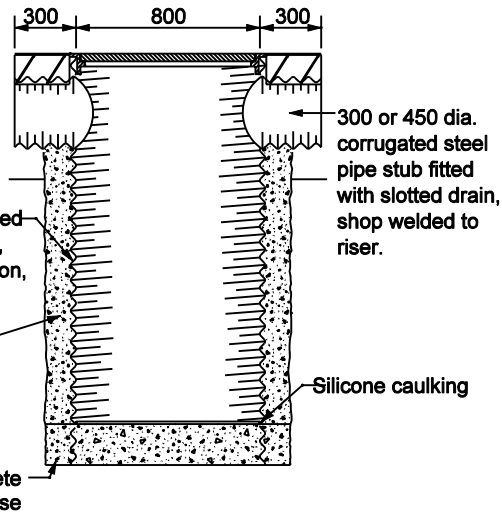
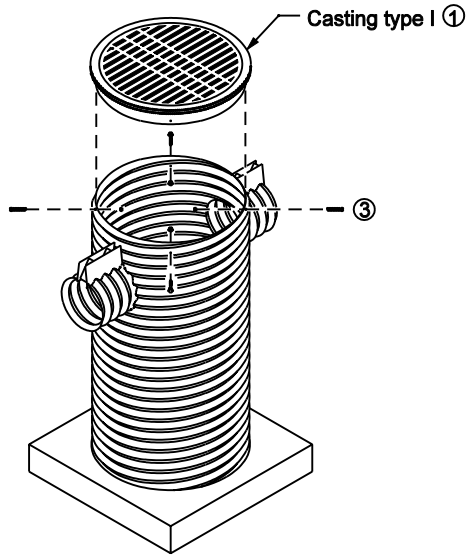
- ① See Standard Drawing 720-SDCP-02 for casting details.
- ② See Standard Drawing 720-SDCP-03 for casting details.
- ③ M10 x 40 stainless steel nonthreaded hex head bolt with locknut washer. (typ.)
- ④ Class A concrete, 150 min. thick. (typ.)
- 5. Cleanout ports shall be spaced at 75 m or as shown on plans.



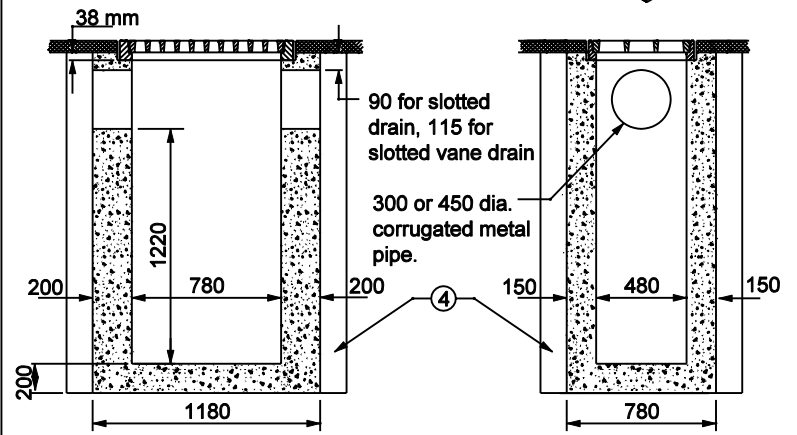
PLAN



**TYPE I
STEEL PIPE PORT**



PLAN



SECTION A-A

SECTION B-B

**TYPE II
CONCRETE BOX PORT**

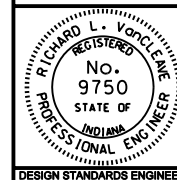
All Dimension are in mm unless otherwise specified

INDIANA DEPARTMENT OF TRANSPORTATION

**SLOTTED DRAIN PIPE
CLEANOUT PORT**

MARCH 2003

STANDARD DRAWING NO. 720-SDCP-01



/s/ Richard L. VanCleave 3-03-03
DESIGN STANDARDS ENGINEER DATE

/s/ Richard K. Smutzer 3-03-03
CHIEF HIGHWAY ENGINEER DATE

DESIGN STANDARDS ENGINEER