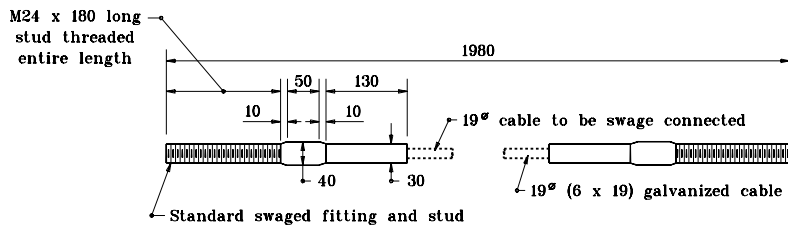


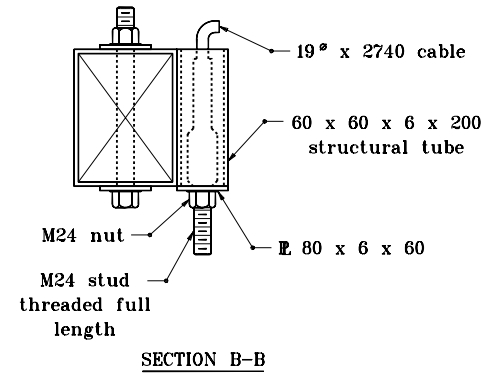
TYPE 5 ANCHOR



ANCHOR CABLE ASSEMBLY

GENERAL NOTES

1. This sheet shall be used with Standard Drawings 601-CWGS-01, 02, 03 and 06.
2. Only one M16 dia. x 250 bolt with nut and washer is required per steel tube and post.
3. Plate washers shall be used only where indicated.



All dimensions are in mm unless otherwise specified.

| | |
|---|--|
| INDIANA DEPARTMENT OF TRANSPORTATION | |
| CURVED W-BEAM GUARDRAIL SYSTEM | |
| MARCH 2002 | |
| STANDARD DRAWING NO. 601-CWGS-04 | |
| | /s/ Richard L. VanCleave 3-01-02 DESIGN STANDARDS ENGINEER DATE |
| | /s/ Richard K. Smutzer 3-01-02 CHIEF HIGHWAY ENGINEER DATE |
| DESIGN STANDARDS ENGINEER | |