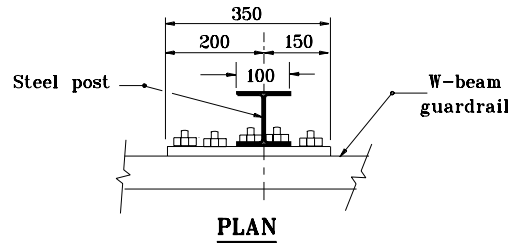
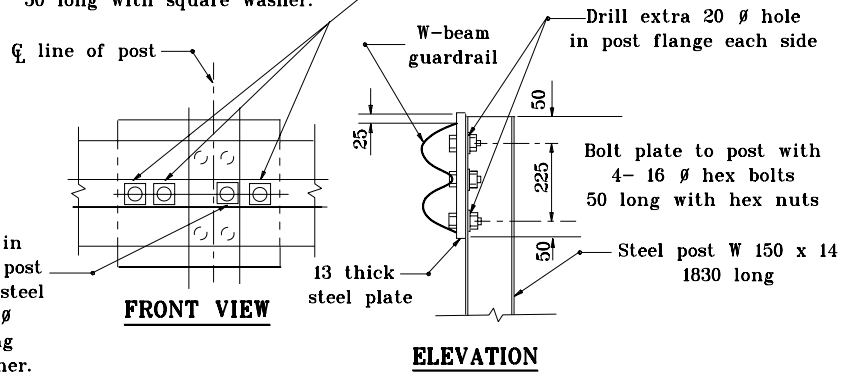


STEEL PLATE DETAIL

STEEL PLATE AND WASHER DETAILS

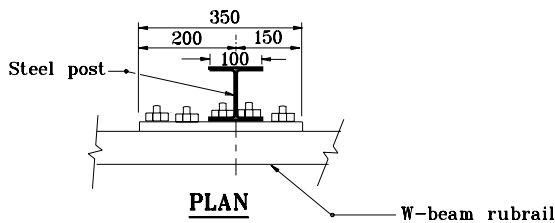


3 - 25 ϕ holes to be field drilled in rail and attached to steel plate with 22 ϕ hex bolts 50 long with square washer.

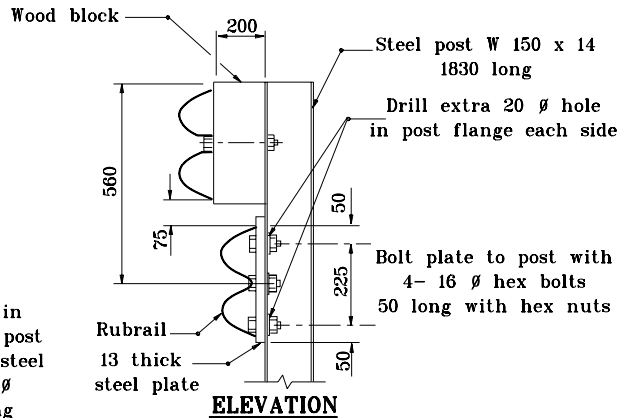


25 ϕ holes to be field drilled in rail and through post flange. Attach to steel plate with 22 ϕ hex bolts 50 long with square washer.

POST ANCHOR DETAILS



3 - 25 ϕ holes to be field drilled in rail and attached to steel plate with 22 ϕ hex bolts 50 long with square washer.



25 ϕ holes to be field drilled in rail and through post flange. Attach to steel plate with 22 ϕ hex bolts 50 long with square washer.

ϕ line of post

FRONT VIEW

RUBRAIL ANCHOR DETAILS

All dimensions are in mm unless otherwise specified.

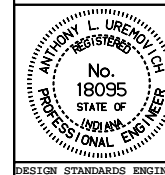
INDIANA DEPARTMENT OF TRANSPORTATION

GUARDRAIL END TREATMENT

TPPE II-COMPONENTS

SEPTEMBER 2000

STANDARD DRAWING NO. **601-GRET-11**



/s/ Anthony L. Uremovich 9-01-00
DESIGN STANDARDS ENGINEER DATE

/s/ Firooz Zandi 9-01-00
CHIEF HIGHWAY ENGINEER DATE

DESIGN STANDARDS ENGINEER