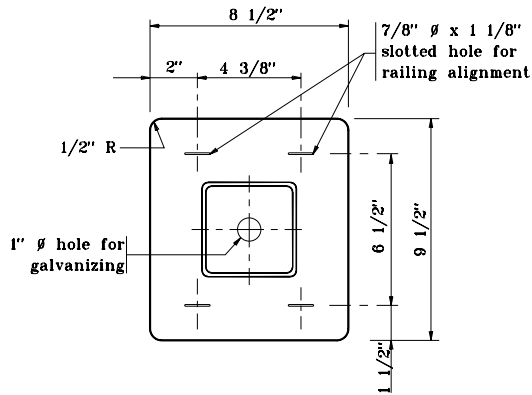
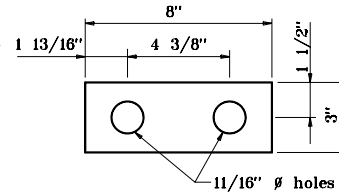


NOTES:

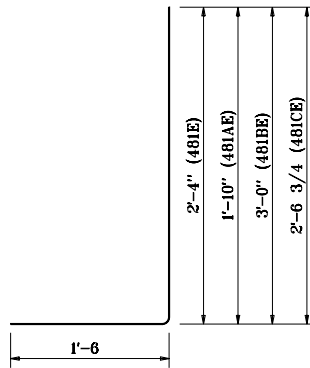
1. See Standard Drawing E 703-BRST-01 for standard 180° bar bending details.
2. All reinforcing bars designated "E" shall be epoxy coated.



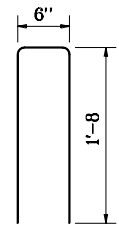
BASE PLATE DETAIL



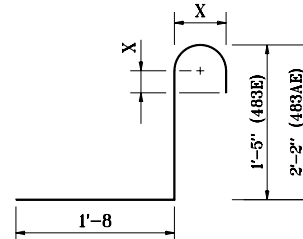
BEARING PLATE DETAIL



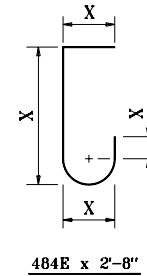
- 481E x 3'-10"
- 481AE x 3'-4"
- 481BE x 4'-6"
- 481CE x 4'-0 3/4"



482E x 3'-10"



- 483E x 3'-10"
- 483AE x 4'-8"



484E x 2'-8"

INDIANA DEPARTMENT OF TRANSPORTATION	
RAILING, PF & PS	
DETAILS	
MARCH 2002	
STANDARD DRAWING NO. E 706-BRPP-06	
	/s/ Richard L. VanCleave 3-01-02 <small>DESIGN STANDARDS ENGINEER DATE</small>
	/s/ Richard K. Smutzer 3-01-02 <small>CHIEF HIGHWAY ENGINEER DATE</small>
<small>DESIGN STANDARDS ENGINEER</small>	