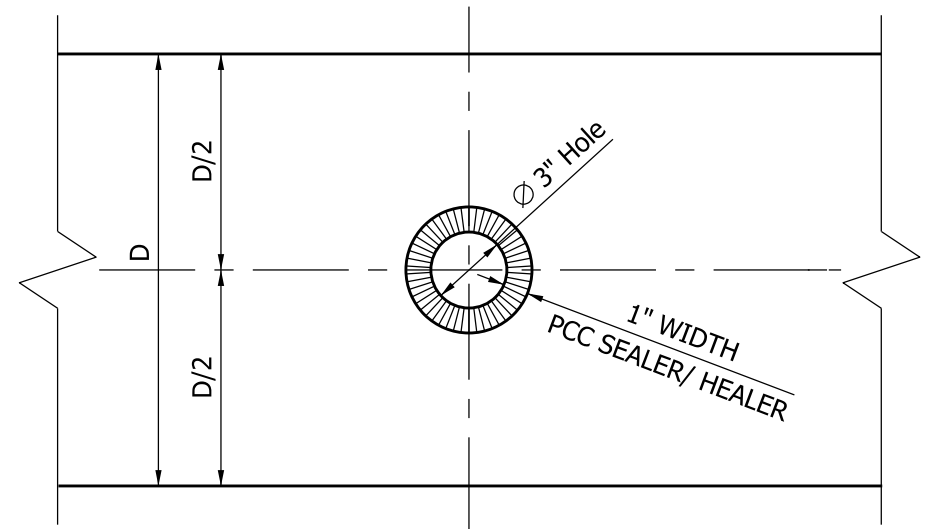
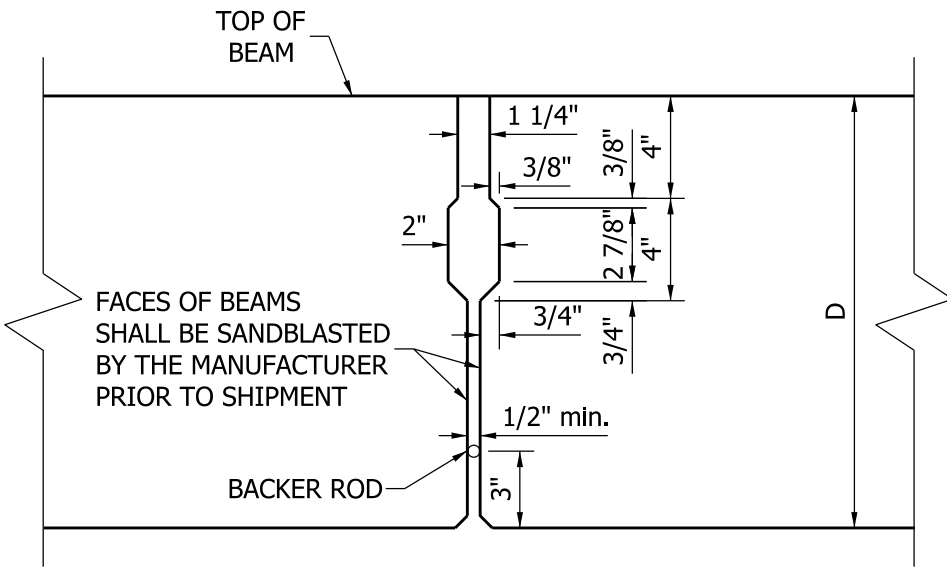


**SECTION SHOWING TRANSVERSE TENSIONING ROD**



**SECTION AT FACE OF BEAM**



**SECTION SHOWING JOINT BETWEEN BEAMS**

INDIANA DEPARTMENT OF TRANSPORTATION	
BRIDGE PRESTRESSED BOX BEAM ADJACENT BOX BEAM TRANSVERSE TENSIONING ROD DETAILS SEPTEMBER 2010	
STANDARD DRAWING NO.	E 707-BPBB-01
	/s/ <i>Richard L. VanCleave</i> 09/01/10 DESIGN STANDARDS ENGINEER DATE
	/s/ <i>Mark A. Miller</i> 09/01/10 CHIEF HIGHWAY ENGINEER DATE
DESIGN STANDARDS ENGINEER	