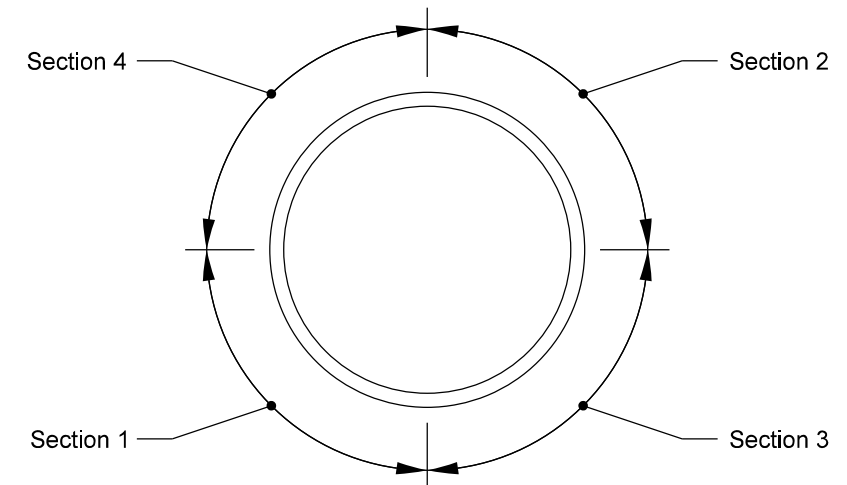
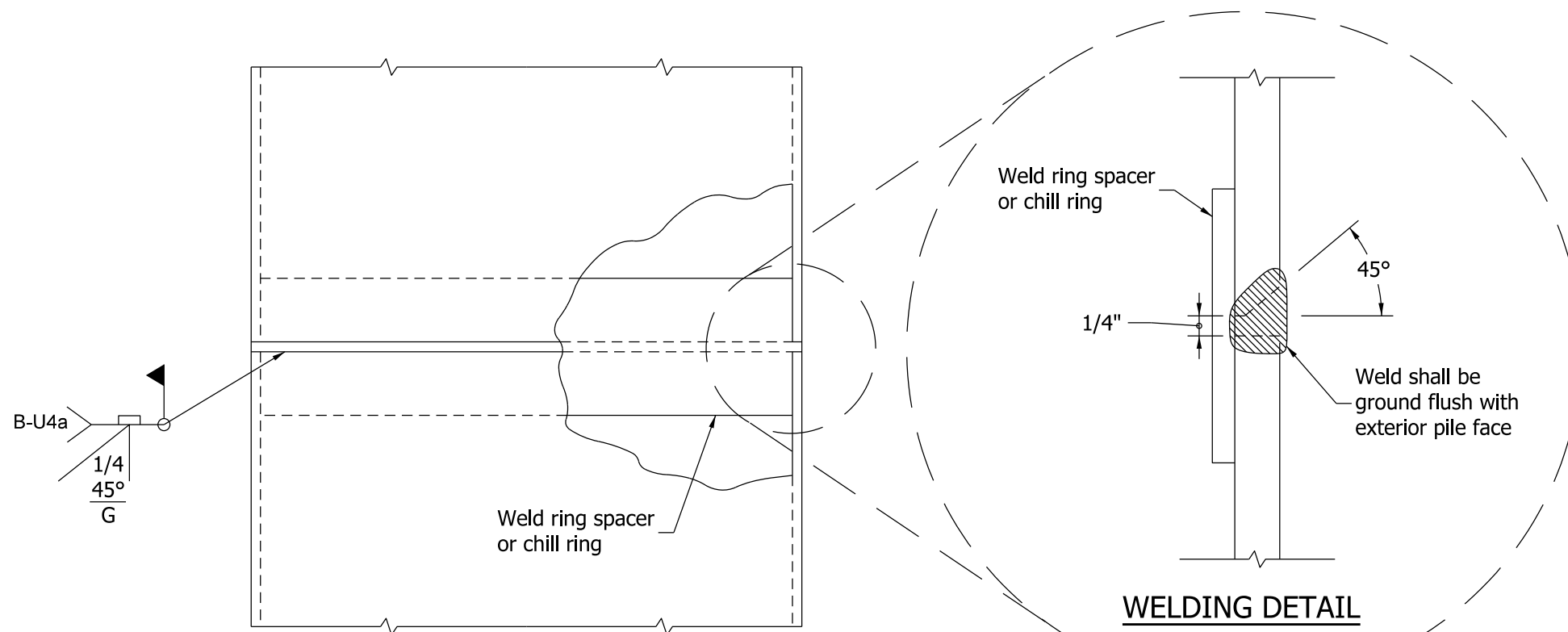


FOR FLUTED PIPE



Completion of Sections 1, 2, 3 & 4 constitutes one pass.

WELDING SEQUENCE



WELDING DETAIL

FOR ROUNDED PIPE

INDIANA DEPARTMENT OF TRANSPORTATION	
SPlicing PIPE PILES IN FIELD	
SEPTEMBER 2011	
STANDARD DRAWING NO.	E 701-BPIL-04
	/s/ <i>Richard L. VanCleave</i> 09/01/11
	DESIGN STANDARDS ENGINEER DATE
DESIGN STANDARDS ENGINEER	/s/ <i>Mark A. Miller</i> 09/01/11
	CHIEF HIGHWAY ENGINEER DATE