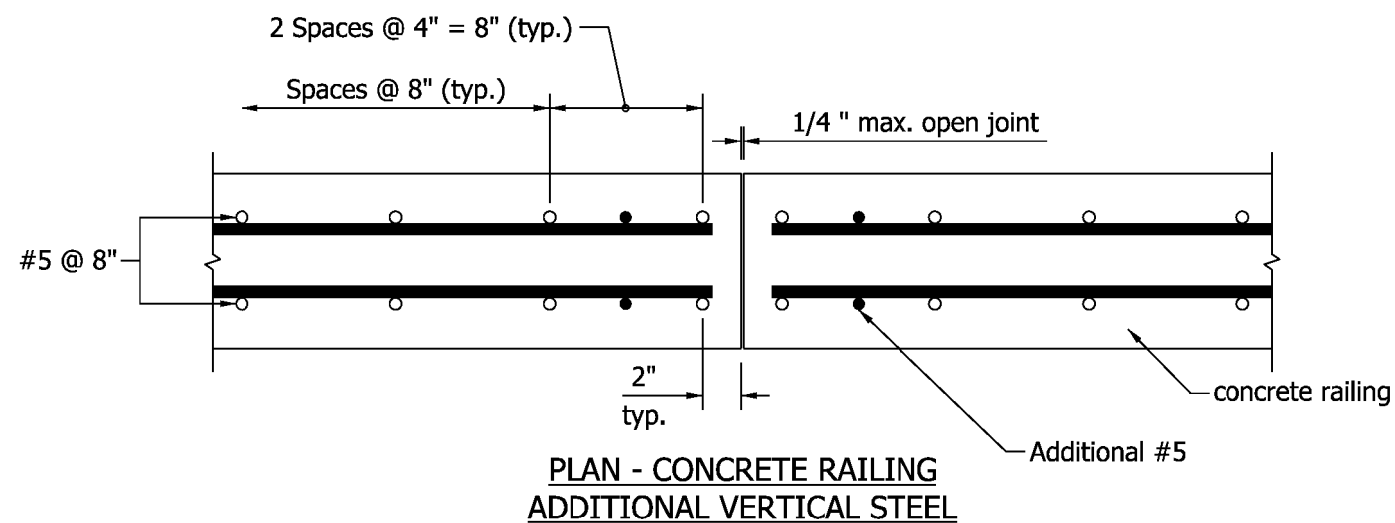


PLAN - REINFORCED CONCRETE MOMENT SLAB JOINTS



PLAN - CONCRETE RAILING
ADDITIONAL VERTICAL STEEL

NOTE:

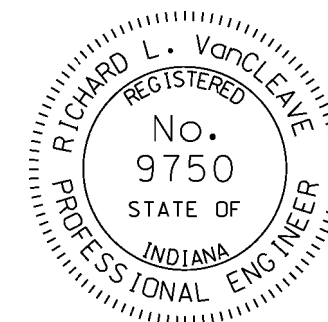
1. Where used with HMA mainline pavement, concrete railing and moment-slab lengths shall coincide and be spaced at 18'-0".

INDIANA DEPARTMENT OF TRANSPORTATION

MOMENT SLAB JOINTS

SEPTEMBER 2009

STANDARD DRAWING NO. E 706-BRRW-09



DESIGN STANDARDS ENGINEER

/s/ Richard L. VanCleave 09/01/09
DESIGN STANDARDS ENGINEER DATE

/s/ Mark A. Miller 09/01/09
CHIEF HIGHWAY ENGINEER DATE