

NOTES:

1. See Standard Drawing E 709-TWBC-01 for bridge railing transition type WBC. See Standard Drawings E 601-TWGB-01 through -03 for guardrail transition type WGB .
- ② These holes, required for the connection of the guardrail transition type WGB to the end of the concrete bridge railing transition, shall be performed.

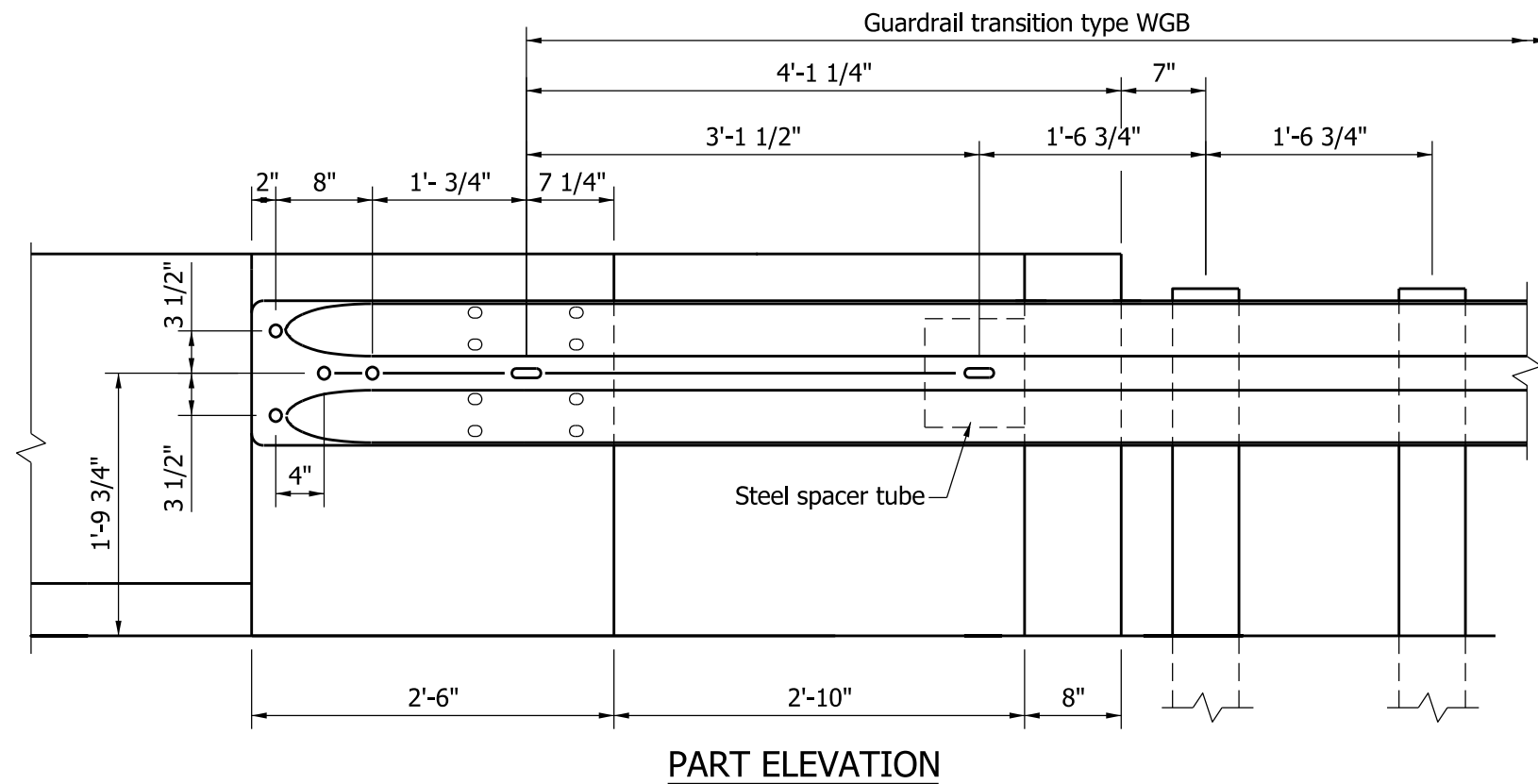


PLATE WASHER PWW

INDIANA DEPARTMENT OF TRANSPORTATION	
BRIDGE RAILING TRANSITION WBC ATTACHMENT OF GUARDRAIL	
SEPTEMBER 2011	
STANDARD DRAWING NO.	E 706-CBRT-02
	/s/ <i>Richard L. VanCleave</i> 09/01/11
	DESIGN STANDARDS ENGINEER DATE
DESIGN STANDARDS ENGINEER	/s/ <i>Mark A. Miller</i> 09/01/11
	CHIEF HIGHWAY ENGINEER DATE