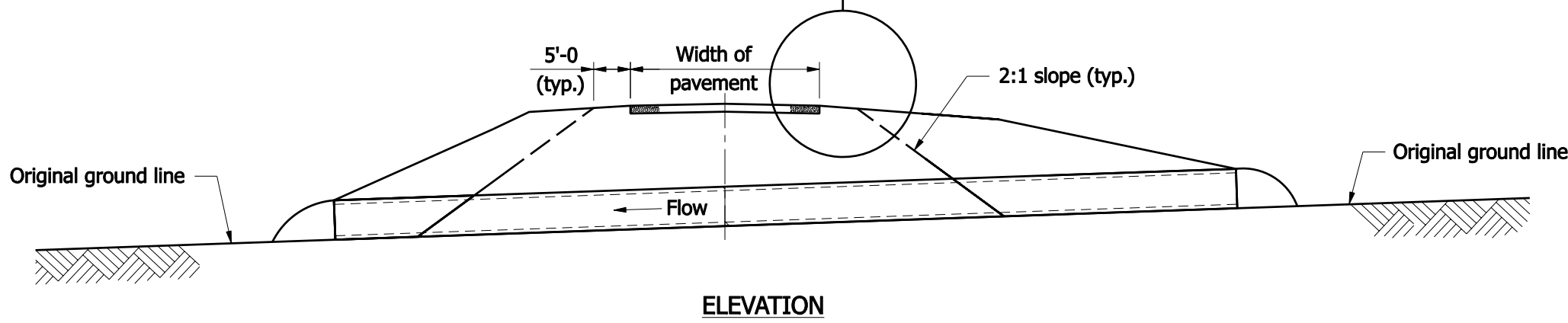
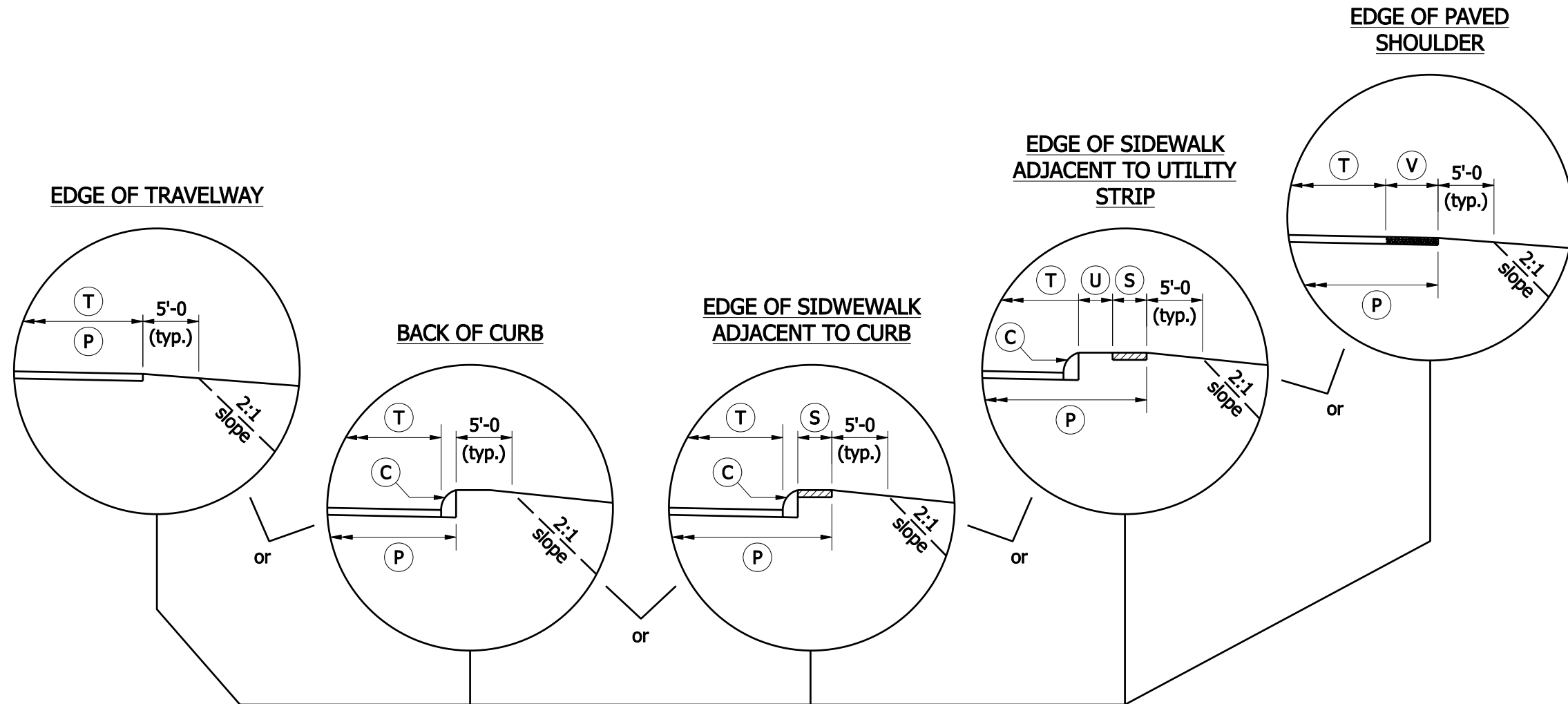


LEGEND

- (C) Curb
- (P) Pavement Limits *
- (S) Sidewalk
- (T) Travel Lane
- (U) Utility Strip
- (V) Paved Shoulder

* For backfill placement and computation



INDIANA DEPARTMENT OF TRANSPORTATION									
PIPE BACKFILL LIMIT DETERMINATION									
SEPTEMBER 2007									
STANDARD DRAWING NO. E 715-BKFL-10									
	<table style="width: 100%; border: none;"> <tr> <td style="border: none;">/s/ <i>Richard L. VanCleave</i></td> <td style="border: none;">09/04/07</td> </tr> <tr> <td style="border: none;">DESIGN STANDARDS ENGINEER</td> <td style="border: none;">DATE</td> </tr> <tr> <td style="border: none;">/s/ <i>Mark A. Miller</i></td> <td style="border: none;">09/04/07</td> </tr> <tr> <td style="border: none;">CHIEF HIGHWAY ENGINEER</td> <td style="border: none;">DATE</td> </tr> </table>	/s/ <i>Richard L. VanCleave</i>	09/04/07	DESIGN STANDARDS ENGINEER	DATE	/s/ <i>Mark A. Miller</i>	09/04/07	CHIEF HIGHWAY ENGINEER	DATE
/s/ <i>Richard L. VanCleave</i>	09/04/07								
DESIGN STANDARDS ENGINEER	DATE								
/s/ <i>Mark A. Miller</i>	09/04/07								
CHIEF HIGHWAY ENGINEER	DATE								
DESIGN STANDARDS ENGINEER									