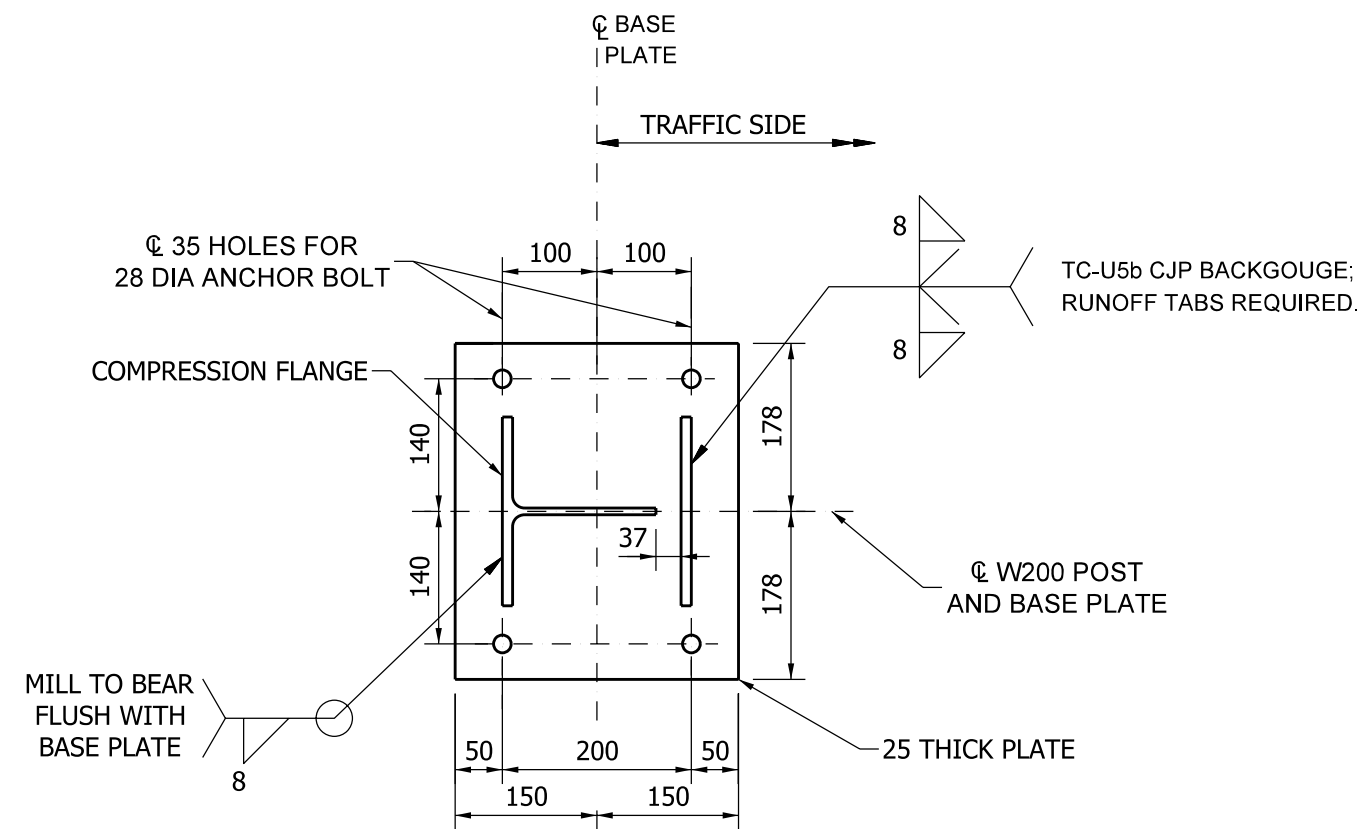
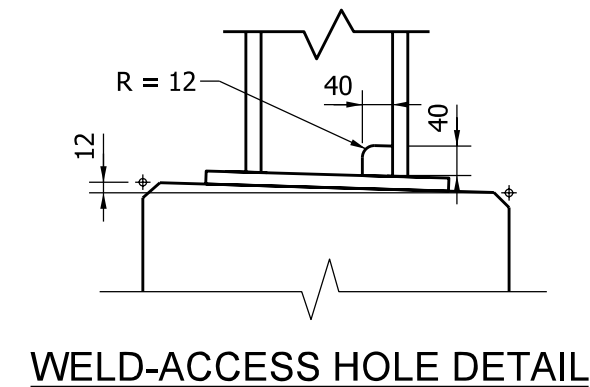


NOTES:

1. 35 HOLES FOR 28 ANCHOR BOLT.



POST TO BASE PLATE DETAIL



All Dimensions are in mm unless otherwise specified.

INDIANA DEPARTMENT OF TRANSPORTATION	
CONCRETE BRIDGE RAILING TYPE TF-2	
SEPTEMBER 2011	
STANDARD DRAWING NO.	706-BRTF-09
	<i>/s/ Richard L. VanCleave</i> 09/01/11 DESIGN STANDARDS ENGINEER DATE
	<i>/s/ Richard K. Smuizer</i> 09/01/11 CHIEF HIGHWAY ENGINEER DATE
DESIGN STANDARDS ENGINEER	