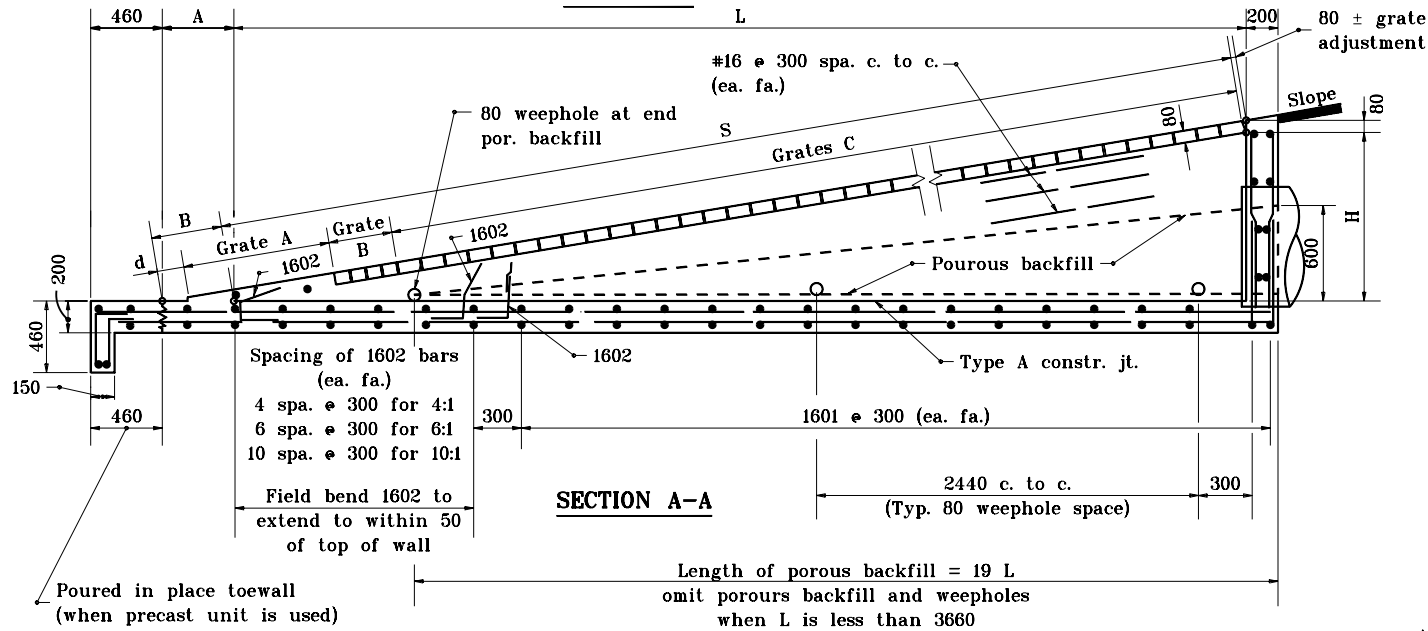
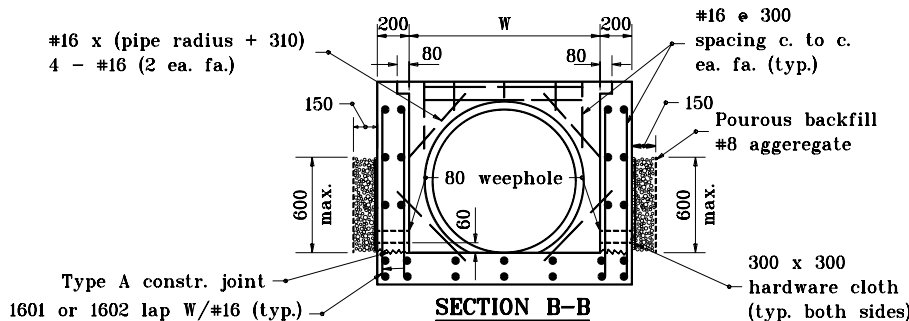


PLAN VIEW



SECTION A-A

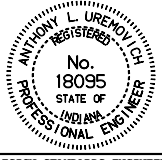
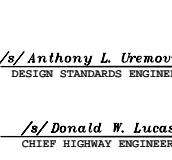


SECTION B-B

GENERAL NOTES

1. The invert grade of the grated box end section shall be the same as that of the pipe.
2. See Standard Drawings 715-GBTT-05 and -06 for dimensions tables.
3. Type II grated box end sections shall be used for culverts parallel to the mainline within the clear zone.
4. See Standard Drawing 715-GBTT-02 for bending diagrams.

All dimensions are in mm unless otherwise specified.

INDIANA DEPARTMENT OF TRANSPORTATION	
GRATED BOX END	
SECTION TYPE II	
JANUARY 1999	
STANDARD DRAWING NO. 715-GBTT-01	
	/s/ Anthony L. Uremovich 1-04-99 DESIGN STANDARDS ENGINEER DATE
	/s/ Donald W. Lucas 1-04-99 CHIEF HIGHWAY ENGINEER DATE