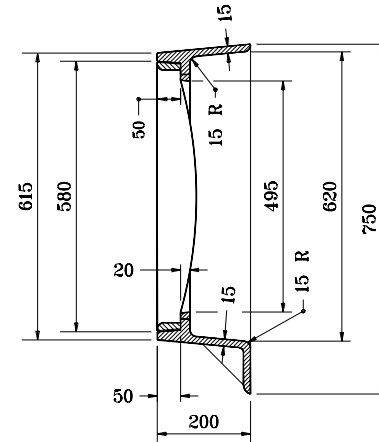
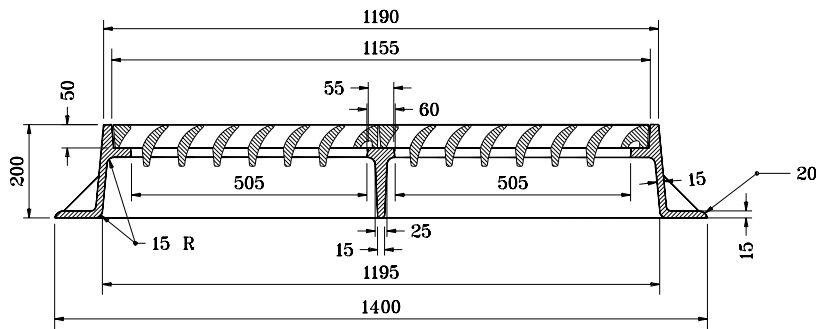


PLAN



SECTION B-B



SECTION A-A

All dimensions are in mm unless otherwise specified.

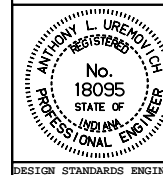
INDIANA DEPARTMENT OF TRANSPORTATION

CASTING TYPE 5

FRAME

SEPTEMBER 2001

STANDARD DRAWING NO. **720-ICCA-01**



/s/ Anthony L. Uremovich 9-04-01
DESIGN STANDARDS ENGINEER DATE

/s/ Firooz Zandi 9-04-01
CHIEF HIGHWAY ENGINEER DATE

DESIGN STANDARDS ENGINEER